

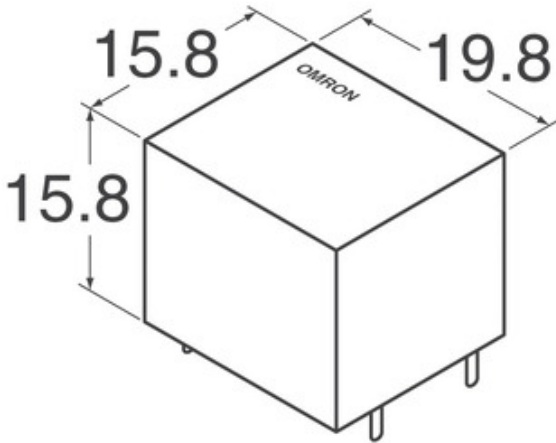


Omron

### G5LA-1-CF DC9

Gawo la Nambala:  
 Wopanga / Chinthu:  
 Mafotokozedwe Akatundu  
 Datasheets:  
 Mkhalidwe wa RoHS  
 Zolemba  
 Chombo Chochokera  
 Njira Yoperekerana

G5LA-1-CF DC9  
 Omron  
 RELAY GENERAL PURPOSE SPDT 5A 9V  
 G5LA-1-CF DC9.pdf  
 Kutsogolera / RoHS Kumvera  
 6161 pcs stock  
 Hong Kong  
 DHL/Fedex/TNT/UPS/EMS



**PEMPHO LA QUOTATION**

Chithunzi chingakhale choyimira. Onani ndondomeko zogwiritsira ntchito mankhwala.

#### Mafotokozedwe a G5LA-1-CF DC9

GAWO LA NAMBALA	G5LA-1-CF DC9
WOPANGA	Omron
KUFOTOKOZERA	RELAY GENERAL PURPOSE SPDT 5A 9V
MKHALIDWE WOPANDA UFULU / MKHALIDWE WA ROHS	Kutsogolera / RoHS Kumvera
CHIWERENGERO CHIPEZEKA	6161 pcs
TSAMBA LAZAMBIRI	G5LA-1-CF DC9.pdf
SINTHANI VOLTAGE (MAX)	6.75 VDC
TEMBENZANI OFF VOLTAGE (MIN)	0.9 VDC
NJIRA YOTHETSERA	PC Pin
KUSINTHA VOLTAGE	250VAC, 24VDC - Max
MNDANDANDA	G5LA
NTHAWI YOTULUTSIDWA	5ms
MTUNDU WOSAKANIZA	General Purpose
KUPAKA	Tray
MAINA ENA	G5LA-1-CF DC9-ND G5LA-1-CFDC9 G5LA1CFDC9
KUTENTHA KWAMBIRI	-40°C ~ 85°C
NTHAWI YOGWIRA NTCHITO	10ms
MTUNDU WOKWERA	Through Hole
MPHUNO YOPANDA CHISOKONEZO (MSL)	1 (Unlimited)
MKHALIDWE WOPANDA UFULU / MKHALIDWE WA ROHS	Lead free / RoHS Compliant
MAWONEKEDWE	Insulation - Class F, Sealed - Flux Protection
KUFOTOKOZEDWA KWAMBIRI	General Purpose Relay SPDT (1 Form C) 9VDC Coil Through Hole
ZOTSATIRA ZOTHANDIZIRA (PANO)	5A
ZINTHU ZOTHANDIZIRA	Silver Tin Oxide (AgSnO)
FOMU YOTHANDIZIRA	SPDT (1 Form C)
KOLIYUMU VOLTAGE	9VDC
MTUNDU WA COIL	Non Latching
KUSAKANIKIRANA KWA COIL	225 Ohms
MPHAMVU YAMAGETSI	360 mW
CHOPHIKA PAKALI PANO	40.0mA

#### Matanthauzo okhudzana

Omron G5LA-1-CF DC9	AAAA Distributor	G5LA-1-CF DC9 Wopereka
G5LA-1-CF DC9 Mtengo	G5LA-1-CF DC9 Zithunzi	G5LA-1-CF DC9 Image
G5LA-1-CF DC9 PDF Datasheet	G5LA-1-CF DC9 Dinani Datasheet	G5LA-1-CF DC9 Datasheet
G5LA-1-CF DC9 Stock	Gulani G5LA-1-CF DC9	Gulani Omron G5LA-1-CF DC9
Omron G5LA-1-CF DC9	Omron Wogulitsa	Omron Distributor
Omron G5LA-1-CF DC9	Omron Electronics Inc-IA Div G5LA-1-CF DC9	Omron Electronics Inc-EMC Div G5LA-1-CF DC9
Omron Electronics LLC G5LA-1-CF DC9		

#### Zogwirizana

 <b>G5LA-1 DC9</b> Opanga: Omron Kufotokozera: RELAY GENERAL PURPOSE SPDT 5A 9V Zilipo: 2739 pcs <a href="#">RFQ</a>	 <b>G5LA-1-CF DC5</b> Opanga: Omron Kufotokozera: RELAY GENERAL PURPOSE SPDT 5A 5V Zilipo: 3688 pcs <a href="#">RFQ</a>
 <b>G5LA-1-CF DC48</b> Opanga: Omron Kufotokozera: RELAY GEN PURPOSE SPDT 5A 48V Zilipo: 4982 pcs <a href="#">RFQ</a>	 <b>G5LA-1-CF DC12</b> Opanga: Omron Kufotokozera: RELAY GEN PURPOSE SPDT 5A 12V Zilipo: 6154 pcs <a href="#">RFQ</a>
 <b>G5LA-1 DC5</b> Opanga: Omron Kufotokozera: RELAY GENERAL PURPOSE SPDT 5A 5V Zilipo: 7012 pcs <a href="#">RFQ</a>	 <b>G5LA-1-E DC12</b> Opanga: Omron Kufotokozera: RELAY GEN PURPOSE SPDT 5A 12V Zilipo: 3958 pcs <a href="#">RFQ</a>
 <b>G5LA-1-E DC5</b> Opanga: Omron Kufotokozera: RELAY GENERAL PURPOSE SPDT 5A 5V Zilipo: 4489 pcs <a href="#">RFQ</a>	 <b>G5LA-1-CF DC24</b> Opanga: Omron Kufotokozera: RELAY GEN PURPOSE SPDT 5A 24V Zilipo: 5045 pcs <a href="#">RFQ</a>
 <b>G5LA-1-E DC48</b> Opanga: Omron Kufotokozera: RELAY GEN PURPOSE SPDT 5A 48V Zilipo: 4809 pcs <a href="#">RFQ</a>	 <b>G5LA-1-E DC9</b> Opanga: Omron Kufotokozera: RELAY GENERAL PURPOSE SPDT 5A 9V Zilipo: 4627 pcs <a href="#">RFQ</a>
 <b>G5LA-1-E-CF DC12</b> Opanga: Omron Kufotokozera: RELAY GEN PURPOSE SPDT 5A 12V Zilipo: 4908 pcs <a href="#">RFQ</a>	 <b>G5LA-1-E DC24</b> Opanga: Omron Kufotokozera: RELAY GEN PURPOSE SPDT 5A 24V Zilipo: 5853 pcs <a href="#">RFQ</a>

