

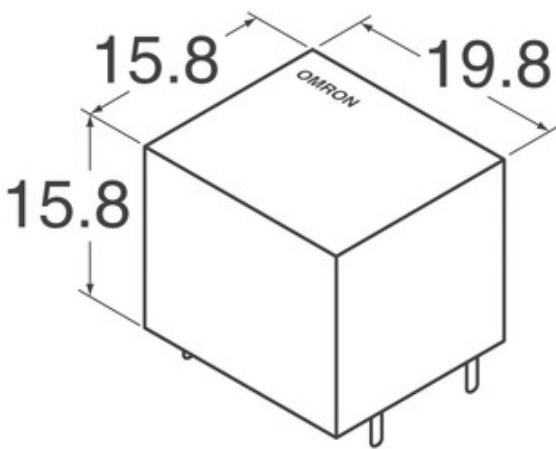


Omron

G5LA-1-E-CF DC12

Gawo la Nambala:
 Wopanga / Chinthu:
 Mafotokozedwe Akatundu
 Datasheets:
 Mkhalidwe wa RoHS
 Zolembe
 Chombo Chochokera
 Njira Yopereker

G5LA-1-E-CF DC12
 Omron
 RELAY GEN PURPOSE SPDT 5A 12V
 G5LA-1-E-CF DC12.pdf
 Kutsogolera / RoHS Kumvera
 4908 pcs stock
 Hong Kong
 DHL/Fedex/TNT/UPS/EMS



PEMPHO LA QUOTATION

Chithunzi chingakhale choyimira. Onani ndondomeko zogwiritsira ntchito mankhwala.

Mafotokozedwe a G5LA-1-E-CF DC12

GAWO LA NAMBALA	G5LA-1-E-CF DC12
WOPANGA	Omron
KUFOTOKOZERA	RELAY GEN PURPOSE SPDT 5A 12V
MKHALIDWE WOPANDA UFULU / MKHALIDWE WA ROHS	Kutsogolera / RoHS Kumvera
CHIWERENGERO CHIPEZEKA	4908 pcs
TSAMBA LAZAMBIRI	G5LA-1-E-CF DC12.pdf
SINTHANI VOLTAGE (MAX)	9 VDC
TEMBENZANI OFF VOLTAGE (MIN)	1.2 VDC
NJIRA YOTHETSER	PC Pin
KUSINTHA VOLTAGE	250VAC, 24VDC - Max
MNDANDANDA	G5LA
NTHAWI YOTULUTSIDWA	5ms
MTUNDU WOSAKANIZA	General Purpose
KUPAKA	Tray
MAINA ENA	G5LA-1-E-CF DC12-ND G5LA-1-E-CFDC12 G5LA1ECFDC12
KUTENTHA KWAMBIRI	-40°C ~ 85°C
NTHAWI YOGWIRA NTCHITO	10ms
MTUNDU WOKWERA	Through Hole
MPHUNO YOPANDA CHISOKONEZO (MSL)	1 (Unlimited)
MKHALIDWE WOPANDA UFULU / MKHALIDWE WA ROHS	Lead free / RoHS Compliant
MAWONEKEDWE	Insulation - Class F, Sealed - Flux Protection
KUFOTOKOZEDWA KWAMBIRI	General Purpose Relay SPDT (1 Form C) 12VDC Coil Through Hole
ZOTSATIRA ZOTHANDIZIRA (PANO)	5A
ZINTHU ZOTHANDIZIRA	Silver Tin Oxide (AgSnO)
FOMU YOTHANDIZIRA	SPDT (1 Form C)
KOLIYUMU VOLTAGE	12VDC
MTUNDU WA COIL	Non Latching
KUSAKANIKIRANA KWA COIL	400 Ohms
MPHAMVU YAMAGETSI	360 mW
CHOPHIKA PAKALI PANO	30.0mA

Matanthauzo okhudzana

Omron G5LA-1-E-CF DC12	AAAA Distributor	G5LA-1-E-CF DC12 Wopereka
G5LA-1-E-CF DC12 Mtengo	G5LA-1-E-CF DC12 Zithunzi	G5LA-1-E-CF DC12 Image
G5LA-1-E-CF DC12 PDF Datasheet	G5LA-1-E-CF DC12 Dinani Datasheet	G5LA-1-E-CF DC12 Datasheet
G5LA-1-E-CF DC12 Stock	Gulani G5LA-1-E-CF DC12	Gulani Omron G5LA-1-E-CF DC12
Omron G5LA-1-E-CF DC12	Omron Wogulitsa	Omron Distributor
Omron G5LA-1-E-CF DC12	Omron Electronics Inc-IA Div G5LA-1-E-CF DC12	Omron Electronics Inc-EMC Div G5LA-1-E-CF DC12
Omron Electronics LLC G5LA-1-E-CF DC12		

Zogwirizana

<p>G5LA-1-E DC5 Opanga: Omron Kufotokozera: RELAY GENERAL PURPOSE SPDT 5A 5V Zilipo: 4489 pcs RFQ</p>	<p>G5LA-1-E DC24 Opanga: Omron Kufotokozera: RELAY GEN PURPOSE SPDT 5A 24V Zilipo: 5853 pcs RFQ</p>
<p>G5LA-1-E DC48 Opanga: Omron Kufotokozera: RELAY GEN PURPOSE SPDT 5A 48V Zilipo: 4809 pcs RFQ</p>	<p>G5LA-1-E-CF DC24 Opanga: Omron Kufotokozera: RELAY GEN PURPOSE SPDT 5A 24V Zilipo: 3408 pcs RFQ</p>
<p>G5LA-1-E-CF DC48 Opanga: Omron Kufotokozera: RELAY GEN PURPOSE SPDT 5A 48V Zilipo: 6790 pcs RFQ</p>	<p>G5LA-1-E DC9 Opanga: Omron Kufotokozera: RELAY GENERAL PURPOSE SPDT 5A 9V Zilipo: 4627 pcs RFQ</p>
<p>G5LA-1-E-CF DC9 Opanga: Omron Kufotokozera: RELAY GENERAL PURPOSE SPDT 5A 9V Zilipo: 6382 pcs RFQ</p>	<p>G5LA-1-E-CF-SP DC12 Opanga: Omron Kufotokozera: RELAY GEN PURPOSE SPDT 5A 12V Zilipo: 3815 pcs RFQ</p>
<p>G5LA-1-CF DC9 Opanga: Omron Kufotokozera: RELAY GENERAL PURPOSE SPDT 5A 9V Zilipo: 6161 pcs RFQ</p>	<p>G5LA-1-E DC12 Opanga: Omron Kufotokozera: RELAY GEN PURPOSE SPDT 5A 12V Zilipo: 3958 pcs RFQ</p>
<p>G5LA-1-HA DC12 Opanga: Omron Kufotokozera: RELAY GEN PURPOSE SPDT 5A 12V Zilipo: 3655 pcs RFQ</p>	<p>G5LA-1-E-CF DC5 Opanga: Omron Kufotokozera: RELAY GENERAL PURPOSE SPDT 5A 5V Zilipo: 6224 pcs RFQ</p>

