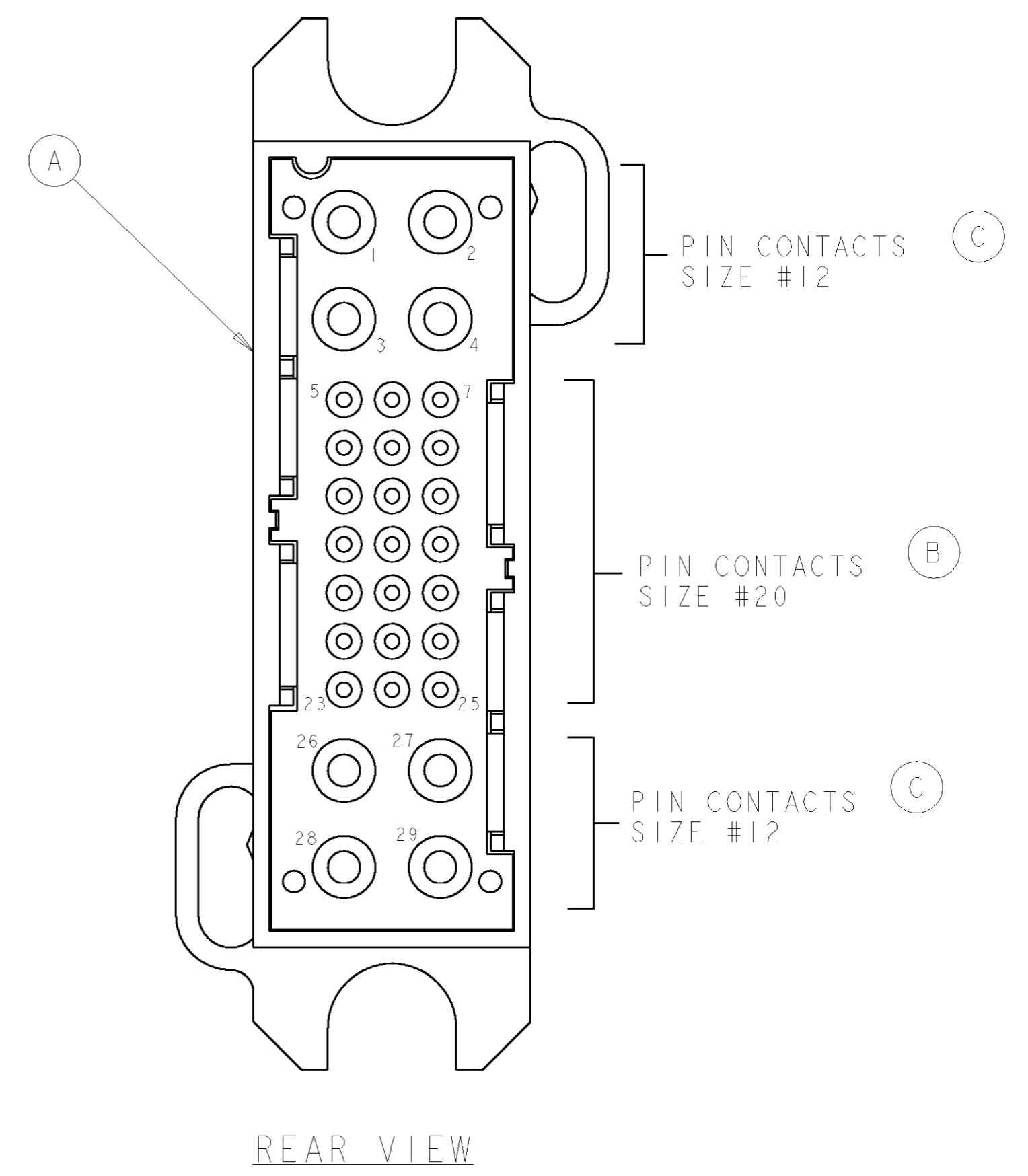
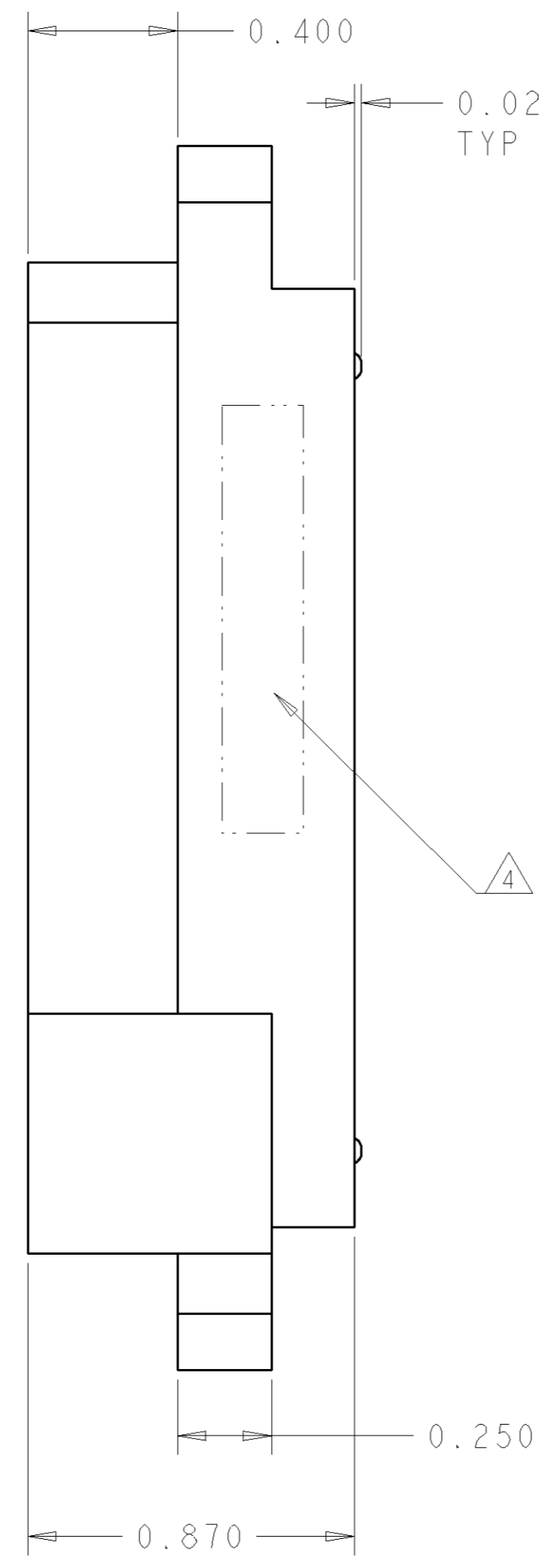
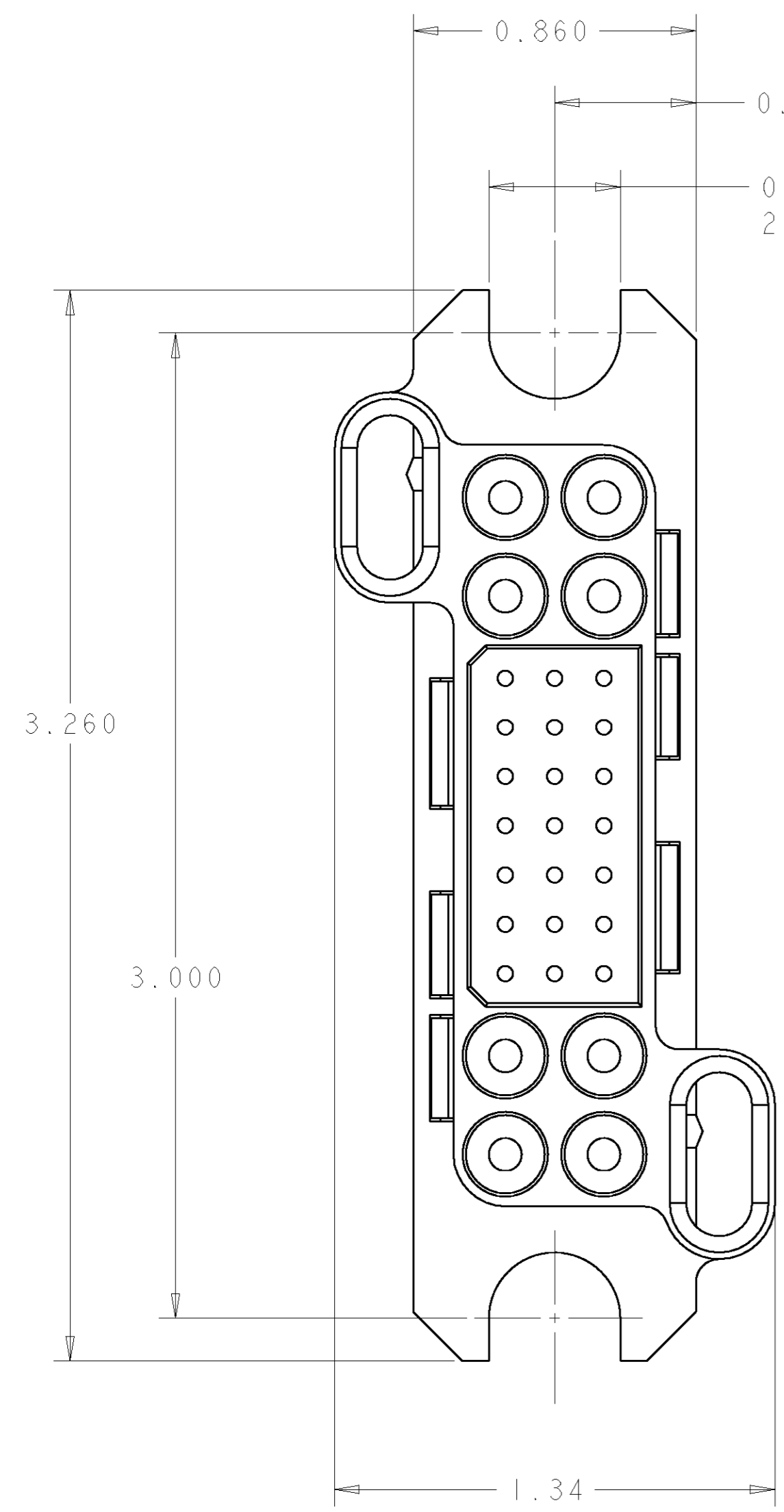


THIS DRAWING IS UNPUBLISHED. RELEASED FOR PUBLICATION 20
 © COPYRIGHT 20 BY TYCO ELECTRONICS CORPORATION. ALL RIGHTS RESERVED.

LOC	DIST	REVISIONS					
GP	00	P	LTR	DESCRIPTION	DATE	DWN	APVD
			A	RELEASED	13NOV06	RG	DO



AS SHOWN	1926270-1
DESCRIPTION	PART NUMBER

<small>THIS DRAWING IS A CONTROLLED DOCUMENT FOR TYCO ELECTRONICS CORPORATION. IT IS SUBJECT TO CHANGE AND THE CONTROLLING ENGINEERING ORGANIZATION SHOULD BE CONTACTED FOR THE LATEST REVISION.</small>		DWN R. GRZYBOWSKI 13NOV06 CHK D. ORRIS 13NOV06 APVD S. FLICKINGER 13NOV06	tyco Tyco Electronics Electronics Harrisburg, PA 17105-3608
DIMENSIONS: INCHES 	TOLERANCES UNLESS OTHERWISE SPECIFIED: 0 PLC ± 1 PLC ± 2 PLC ±.02 3 PLC ±.010 4 PLC ± ANGLES ±.5 FINISH	PRODUCT SPEC - APPLICATION SPEC - WEIGHT -	NAME CONNECTOR ASSEMBLY PIN LOWER DRAWER SIZE A2 CAGE CODE 00779 DRAWING NO. 1926270 RESTRICTED TO -
MATERIAL -		CUSTOMER DRAWING	SCALE 3:1 SHEET 1 OF 2 REV A

ELCON LOWER DRAWER

4

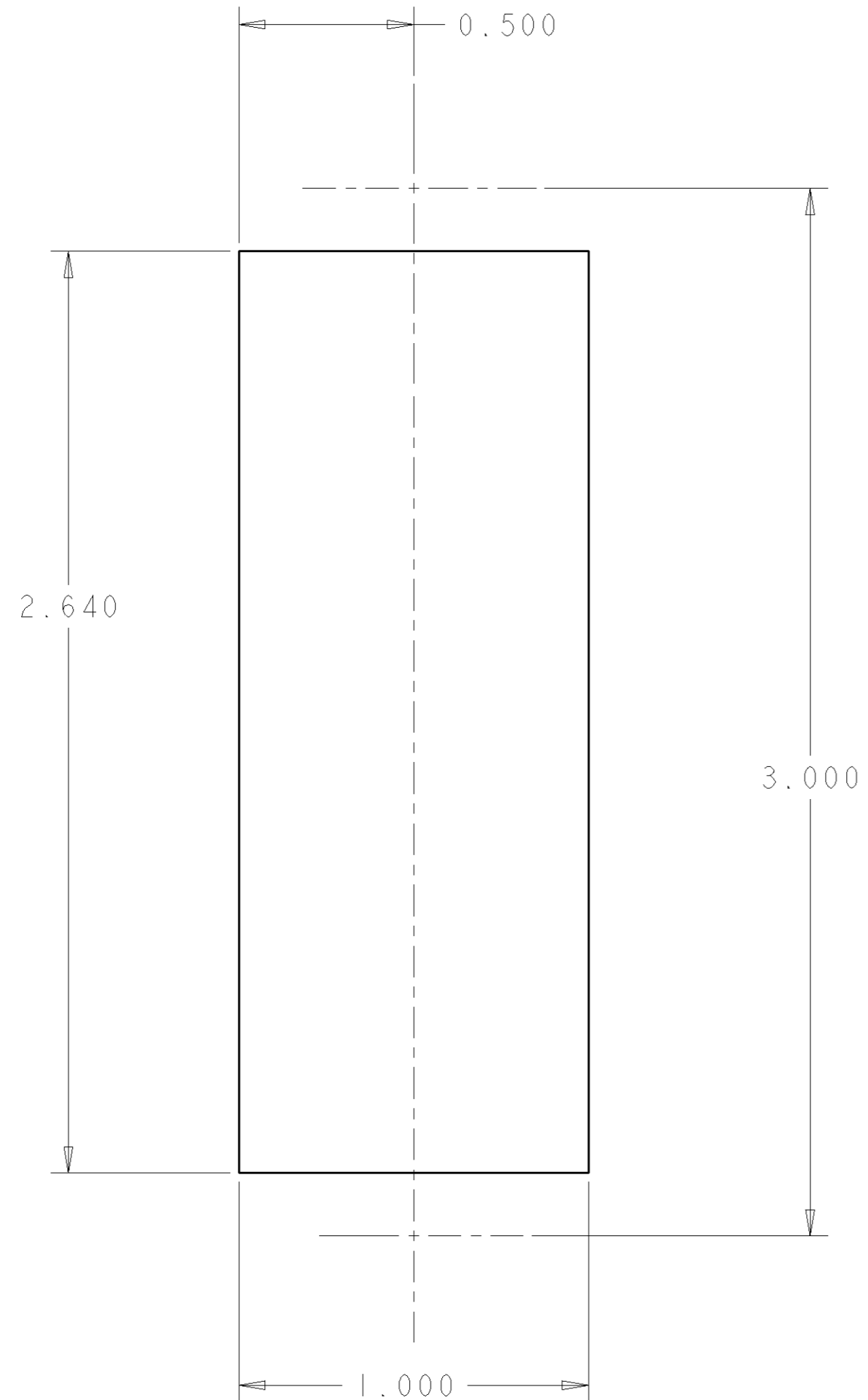
3

2

1

THIS DRAWING IS UNPUBLISHED. RELEASED FOR PUBLICATION 20
 © COPYRIGHT 20 BY TYCO ELECTRONICS CORPORATION. ALL RIGHTS RESERVED.

LOC	DIST	REVISIONS					
GP	00	P	LTR	DESCRIPTION	DATE	DWN	APVD
		-		SEE SHEET 1	-	-	-



- PART NUMBER CHANGES AND OR DESIGN CHANGES AFFECTING THE INTERCHANGEABILITY REQUIRE PRIOR TYCO APPROVAL AND AUTHORIZATION BY REVISION TO THIS DRAWING.
- MATERIAL:
 INSULATOR: THERMOPLASTIC, GLASS REINFORCED, UL 94V-0
 FLAMMABILITY RATED, COLOR: BLACK
 CONTACT: COPPER ALLOY
 CROWN BAND: BERYLLIUM COPPER
 RETENTION CLIP: BERYLLIUM COPPER OR STAINLESS STEEL
- FINISH:
 CONTACTS SIZE #12 BODY : GOLD .000010 MIN THK.
 OVER NICKEL .00040 MIN THK.
 CONTACTS SIZE #20 BODY : GOLD .000010 MIN THK.
 OVER NICKEL .00050 MIN THK.
 CROWN BAND CONTACT: GOLD .000030 MIN THK.
 OVER NICKEL .00040 MIN THK.

△ ITEMS PROVIDED TO THIS SPECIFICATION TO BE PERMANENTLY IDENTIFIED PER THE FOLLOWING IDENTIFIER:

YEAR WEEK

TYCO PART NUMBER: XXXXXXX-X DATE CODE (e.g. 0216): XXXX

△ CRIMP CONTACTS (ITEMS B AND C) SHALL BE PACKAGED SEPARATELY AND PLACED IN THE BOX WITH THE CONN. ASSEMBLY.

△ 5	C	3	1650153-2	CONTACT, PIN, #12, CRIMP, STD, HP
△ 5	B	9	1650155-1	CONTACT, PIN, #20, CRIMP, STD
	A	1	1648203-1	HOUSING, PIN, FLOAT MOUNT
ITEM	-1	PART NUMBER	DESCRIPTION	

SUGGESTED PANEL CUTOUT
 VIEW FROM CONNECTOR MOUNTING SIDE

ELCON LOWER DRAWER

<small>THIS DRAWING IS A CONTROLLED DOCUMENT FOR TYCO ELECTRONICS CORPORATION IT IS SUBJECT TO CHANGE AND THE CONTROLLING ENGINEERING ORGANIZATION SHOULD BE CONTACTED FOR THE LATEST REVISION.</small>		DWN R.GRZYBOWSKI 13NOV06 CHK D.ORRIS 13NOV06 APVD S.FLICKINGER 13NOV06	tyco Tyco Electronics Harrisburg, PA 17105-3608
DIMENSIONS: INCHES 	TOLERANCES UNLESS OTHERWISE SPECIFIED: 0 PLC ± 1 PLC ± 2 PLC ±.02 3 PLC ±.010 4 PLC ± ANGLES ±.5 FINISH	PRODUCT SPEC - APPLICATION SPEC - WEIGHT -	NAME: CONNECTOR ASSEMBLY PIN LOWER DRAWER SIZE: A2 CAGE CODE: 00779 DRAWING NO: 1926270 RESTRICTED TO: -
MATERIAL: -	FINISH: -	WEIGHT: -	SCALE: 3:1 SHEET 2 OF 2 REV A