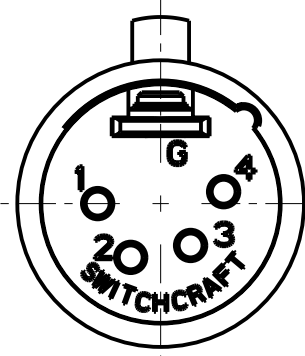
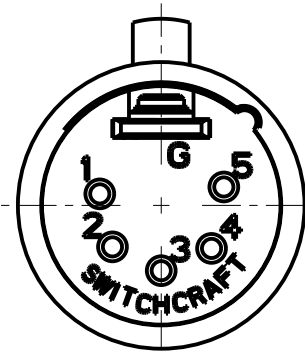


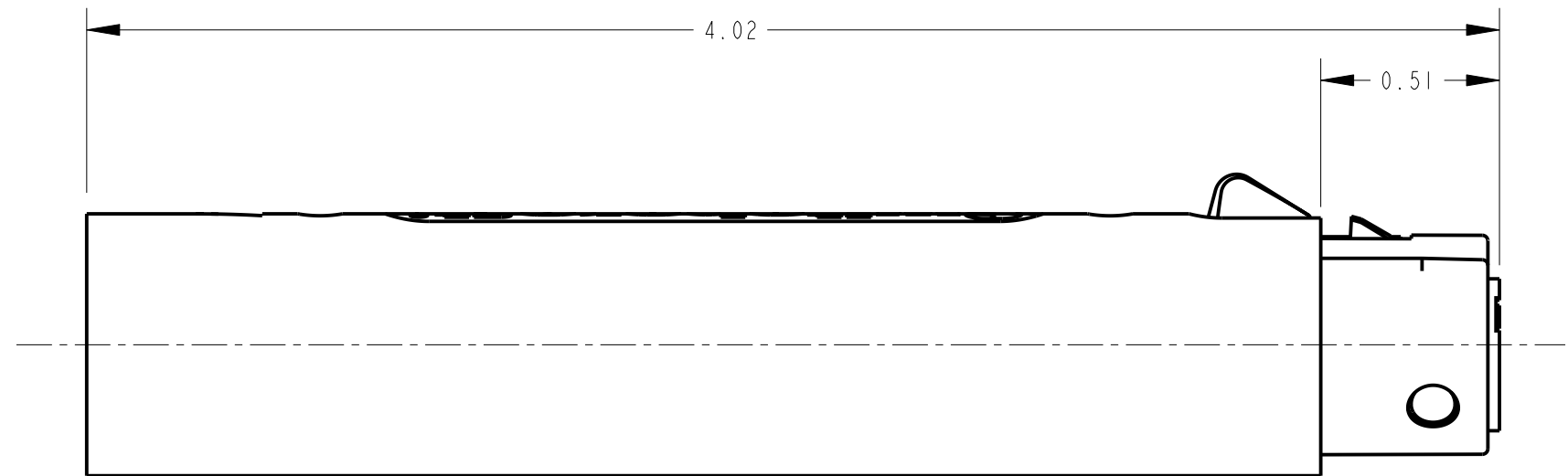
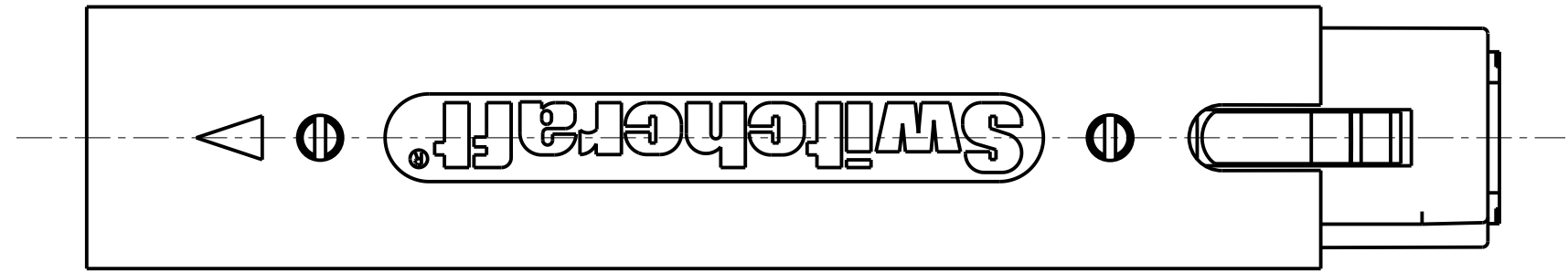
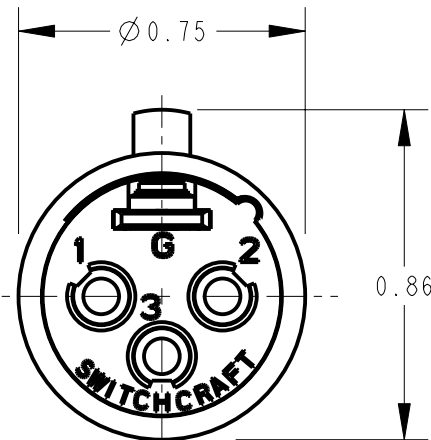
S3FM
3 PIN



S4FM
4 PIN



S5FM
5 PIN



STANDARD SERIES

SCREWS - STAINLESS STEEL
 SHELL - STAINLESS STEEL
 HOUSING - ZINC, NICKEL PLATED
 SOLDER TERMINALS - BRASS, ELECTRO TIN PLATED
 INSULATORS - POLYESTER, GREEN
 CONTACT PINS - BRASS, SILVER PLATED
 RECEPTACLE PINS - BRONZE, SILVER PLATED
 CONTACTOR - COPPER, NICKEL PLATED
 LATCH SPRING - STAINLESS STEEL
 LATCH BUTTON - ZINC, NICKEL PLATED
 TUBULAR INSULATOR - MYLAR

S - F M

NO. OF CONTACTS:
 3 = 3 CONTACTS
 4 = 4 CONTACTS
 5 = 5 CONTACTS

NOTES:

1. ALL DIMENSIONS REFERENCE UNLESS OTHERWISE SPECIFIED.

CUSTOMER DRAWING

					★ STAR SYMBOL DENOTES CRITICAL DIMENSION	THIS DRAWING DESCRIBES A DESIGN CONSIDERED PROPRIETARY IN NATURE, DEVELOPED AND MANUFACTURED BY SWITCHCRAFT INC. AND IS RELEASED ON A CONFIDENTIAL BASIS FOR IDENTIFICATION PURPOSES ONLY.					
					UNLESS OTHERWISE SPECIFIED	SIZE	WIDTH	MULT	LBS/M	TEMPER	
M	27096	2-7-13	TO	TJK	1. ALL DIMENSIONS IN INCHES - TWO PLACE DECIMALS ±0.01 - THREE PLACE DECIMALS ±0.005 - FRACTIONAL DIMENSIONS ±1/64 - ANGLES ±1° - ALL DIA. CONCENTRIC WITHIN 0.005 T.I.R.	FINISH			MATERIAL		
L	ECO #21378	1-29-97	MM	RB		SPEC No.			SPEC No.		
K	ECO #21057	1-29-97	MM	RB		FIRST USED ON			SCALE		
J	ECO #21034	1-28-97	MM	RB	2. FEATURES ON THE SAME CENTERLINE MUST BE ALIGNED WITHIN ±0.002 3. REMOVE ALL BURRS	DATE DRAWN	BY	CHKD	APVD		
H	20627	3-6-96	SG	SG		28-Aug-94	SG	SG	GHJ		8-29-94
REV	ECO NUMBER	DATE	BY	APVD	DO NOT SCALE DRAWING					SHEET OF	
REVISIONS					NAME					PART No.	
					S SERIES OQ ADAPTOR MALE/FEMALE					S_FM SERIES	
										REV M	