

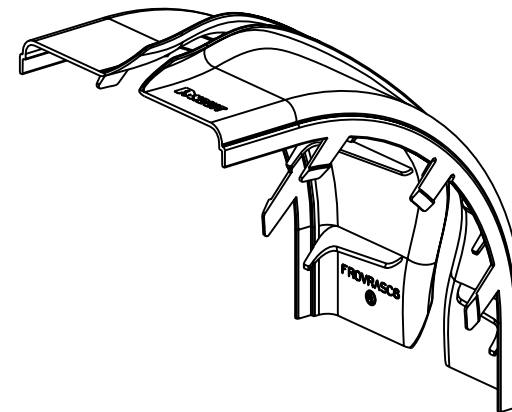
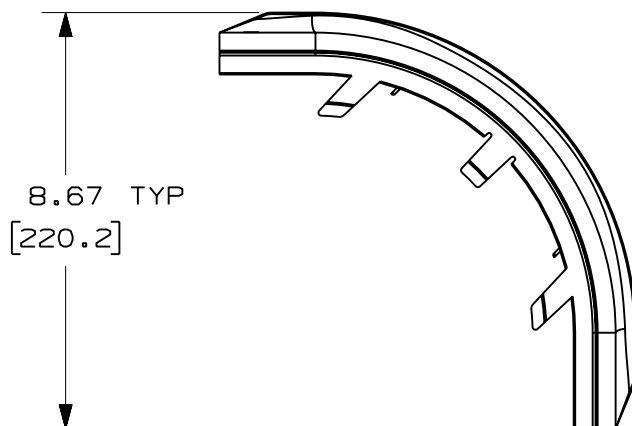
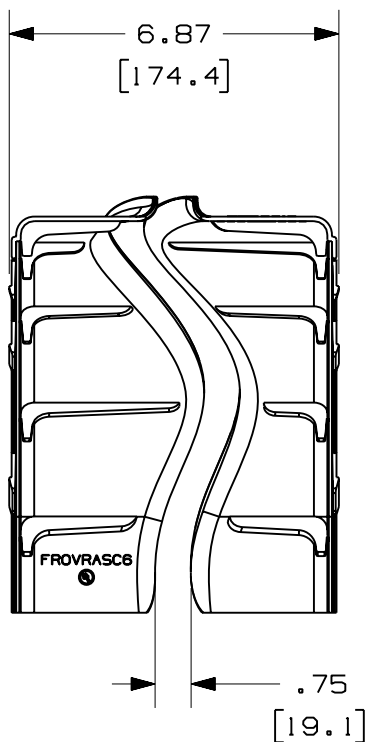


PANDUIT PART NUMBER	WEIGHT
FROVRASC6	0.43 LB/EACH (193g/EACH)



NOTES:

1. SEE CURRENT CATALOG FOR ADDITIONAL PART SUFFIXES TO INDICATE COLOR AND/OR PACKAGE QUANTITY.
2. THE FIBERRUNNER 6x4 OUTSIDE VERTICAL RIGHT ANGLE SPLIT COVER REQUIRES NO TOOLS FOR INSTALLATION AND/OR REMOVAL. THE SPLIT COVER CREATES A 3/4" (19.1) RADIUS OPENING TO ALLOW FOR NEW CABLES TO BE ADDED WITHOUT THE NEED FOR REMOVING THE COVERS.
3. DIMENSIONS IN PARENTHESES ARE IN METRIC.



ENG. REF.: D37185EV_DC_FROVRASC6_01.prt

CAD FILENAME/LAYERS



FROVRASC6.pdf

PANDUIT CORP TINLEY PARK, ILLINOIS
FIBERRUNNER 6x4 OUTSIDE VERTICAL RIGHT ANGLE SPLIT COVER (FROVRASC6)
 CUSTOMER DRAWING

UNLESS OTHERWISE SPECIFIED, DIMENSIONAL TOLERANCES ARE:

(.X) ± (.XXX) ±
 (.XX) ± .03 (.8) ANGLES ±

UNLESS OTHERWISE SPECIFIED, ALL DIMENSIONS ARE GIVEN IN INCHES, THIRD ANGLE PROJECTION.

DRAWN BY: REWE
 DATE: 5-4-00
 CHK'D: HIW

MAT'L:

ABS

SCALE: NONE

DRAWING NO.: 37185-68

DWG SIZE: A

REV	DATE	BY	CHK	DESCRIPTION	ECN	R	CUST	SUP	GMBH
-	-----	---	---	H. REVISED PART WEIGHT	-----	--	--		
-	-----	---	---	G. REVISED GENERAL NOTES F. REVISED CAD FILENAME	-----	--	--		
2	7-10-06	DTP	RN	E. REVISED DRAWING TITLE D. REVISED AND REDRAWN	37185-68	RN	RN		