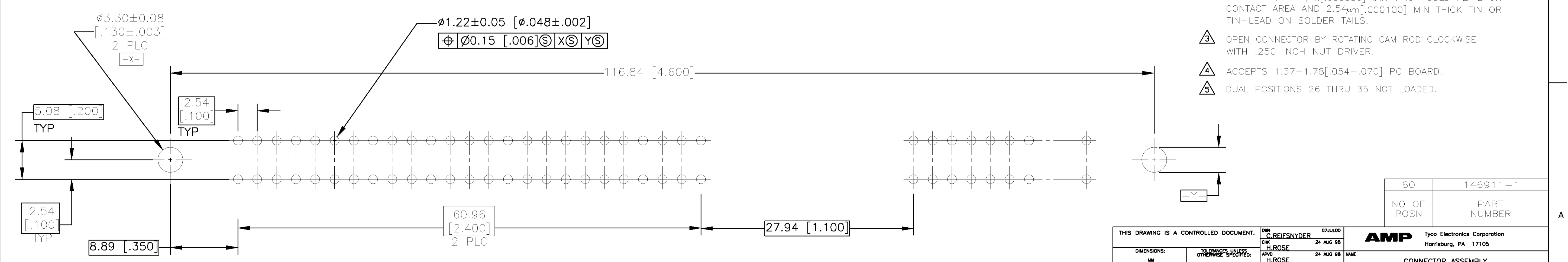
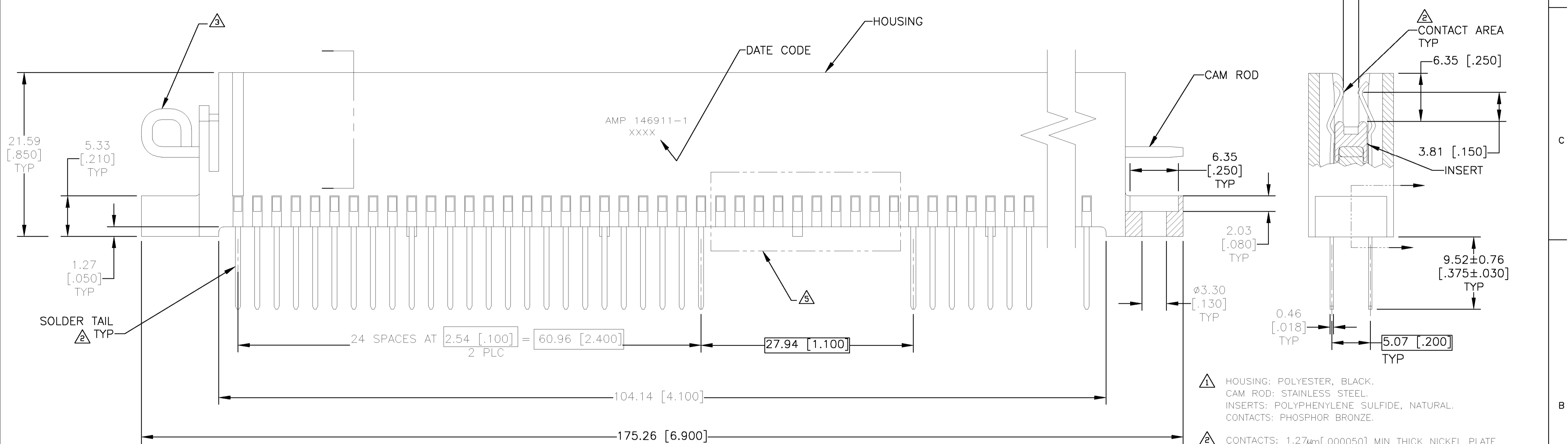
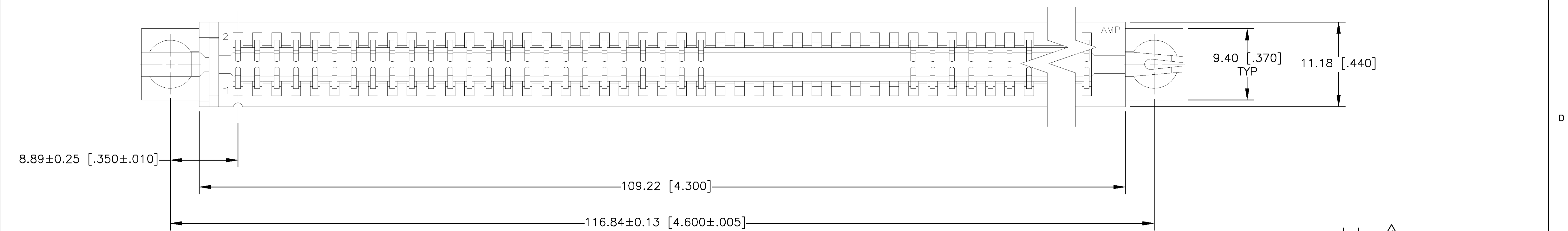


THIS DRAWING IS UNPUBLISHED. RELEASED FOR PUBLICATION
 © COPYRIGHT BY TYCO ELECTRONICS CORPORATION. ALL RIGHTS RESERVED.

LOC		DIST		REVISIONS			
AD	14	REV	PER	DESCRIPTION	DATE	BY	APPD
A		REV	PER	OG3C-0285-00	06JUL00	BH	MM



60	146911-1
NO OF POSN	PART NUMBER

THIS DRAWING IS A CONTROLLED DOCUMENT.		DWR C. REIFSNYDER 07AUG00		AMP Tyco Electronics Corporation Harrisburg, PA 17105	
DIMENSIONS: MM		TOLERANCES UNLESS OTHERWISE SPECIFIED:		NAME H. ROSE 24 AUG 98	
0 PLC	±	0.13 [0.005]	±	PRODUCT SPEC	108-9048
1 PLC	±		±	APPLICATION SPEC	
2 PLC	±		±	SIZE	A1
3 PLC	±		±	WEIGHT	
4 PLC	±		±	SCALE	4:1
ANGLES	±		±	SHEET	1 OF 1
MATERIAL	1	FINISH	2	CUSTOMER DRAWING	REV A
CAGE CODE 00779		DRAWING NO. 146911		RESTRICTED TO	