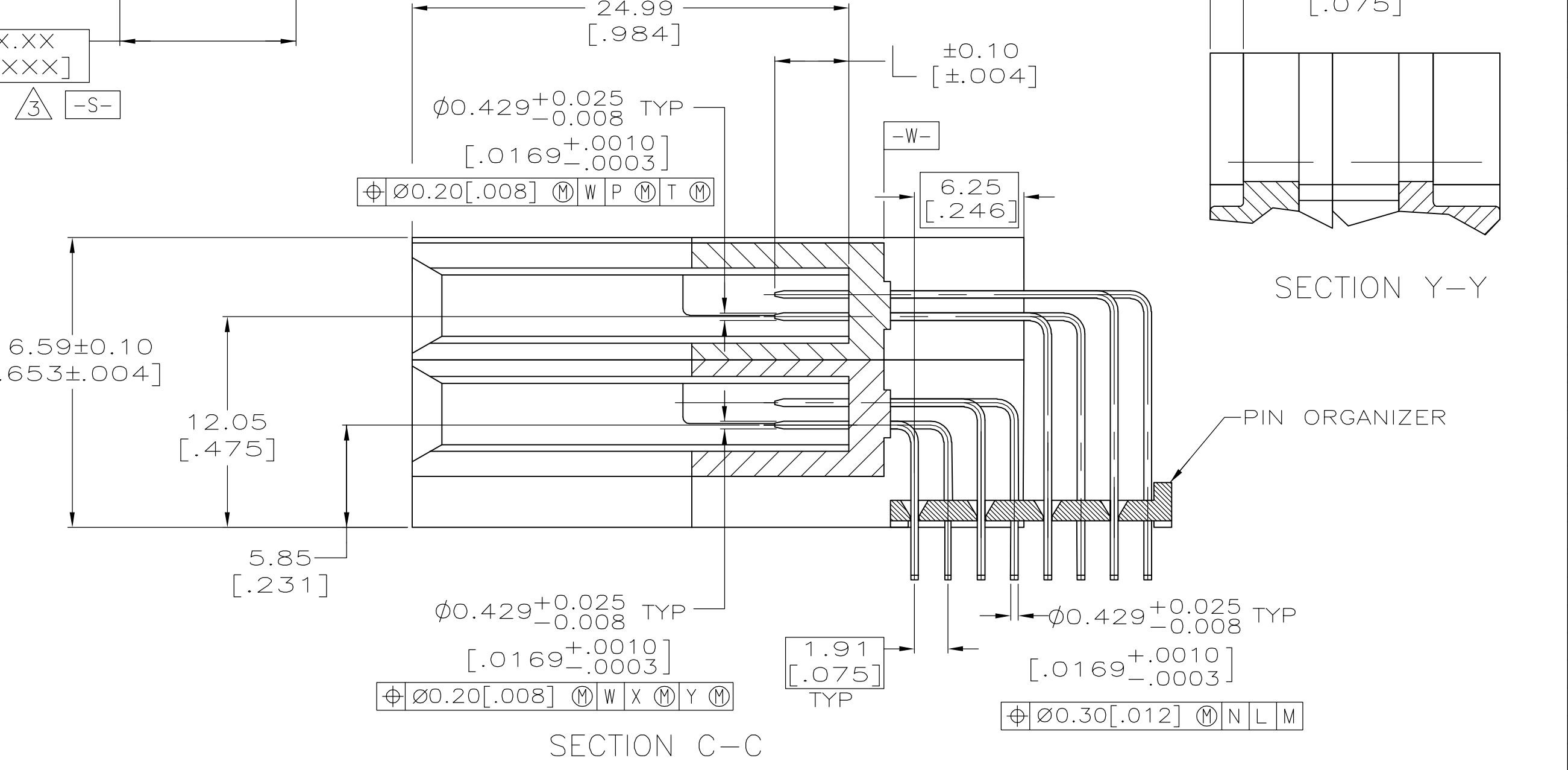
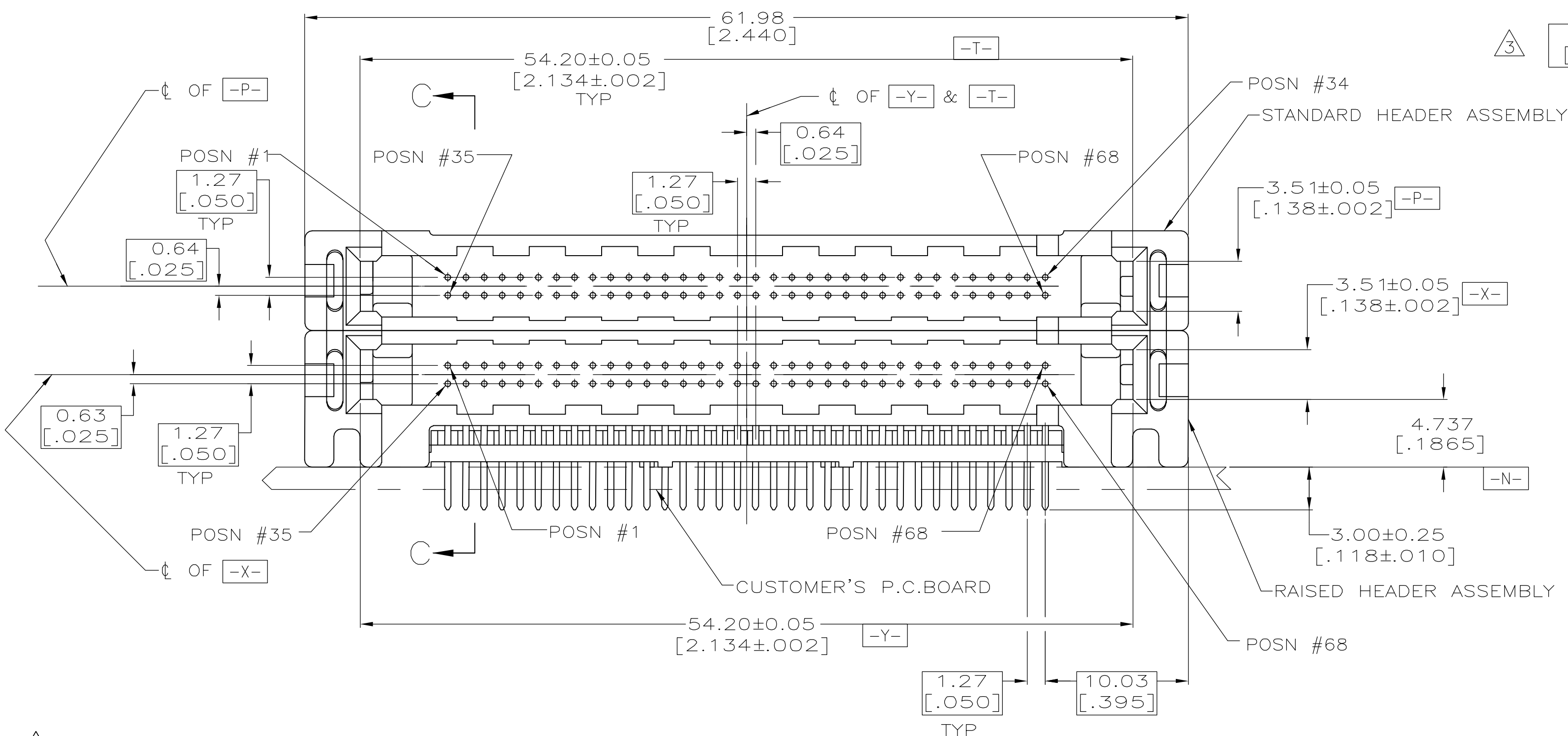
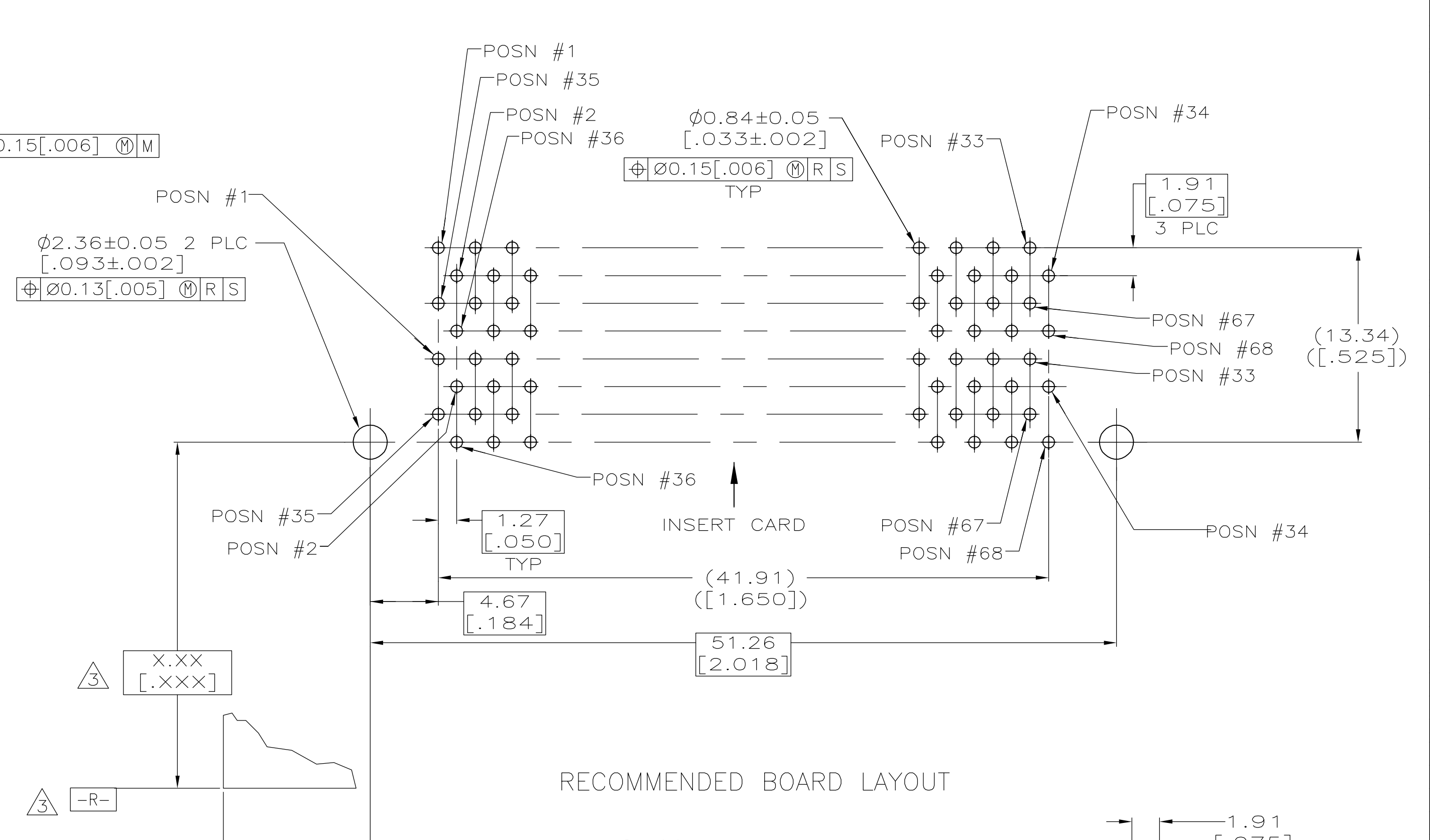
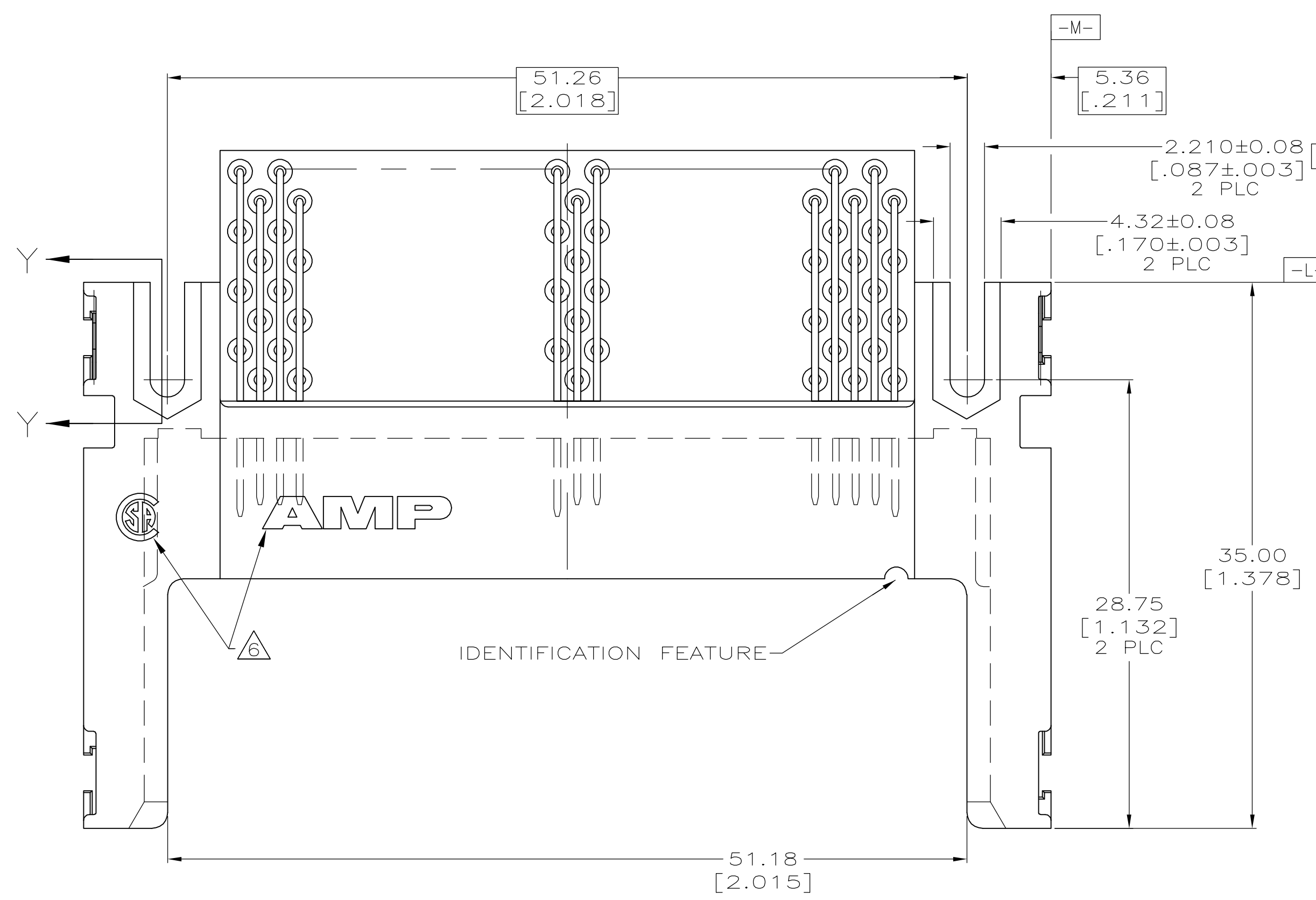


LOC		DIST		REVISIONS			
P	LR	DATE	DESCRIPTION	DATE	DWN	APPD	
0		03-23-05	REL PER EC OS13-0031-05	03-23-05	GA	JG	



- 1 PINS: 0.00076[.000030] MINIMUM GOLD IN CONTACT AREA, 0.00381[.000150] MIN TIN ON SOLDER TAILS, ALL OVER 0.00127[.000050] MINIMUM NICKEL. STACKING CLIPS; NICKEL PLATED ONLY.
- 2. CUSTOMER TO PROVIDE CARD GUIDANCE SYSTEM
- 3 DATUMS AND BASIC DIMENSIONS ESTABLISHED BY CUSTOMER
- 4. CONNECTOR REQUIRES USE OF 2 - SIZE 2M SCREWS FOR FASTENING TO PRINTED CIRCUIT BOARD
- 5 ASSEMBLY KEYED FOR 5 VOLT CARDS
- 6 RECESSED AMP AND CSA LOGOS LOCATED ON BOTH SIDES OF THE HOUSING
- 7 MATERIAL: HOUSING & ORGANIZER; LCP; COLOR, BLACK
PIN; BRASS & PHOSPHOR BRONZE
STACKING CLIP; PHOSPHOR BRONZE

**COPYRIGHT 2005
 TYCO ELECTRONICS CORP
 ALL RIGHTS RESERVED**

5	1,17,34 35,51,68	ALL OTHER PINS	36,67	5146046-1
	VOLTAGE KEYING	5.0 [.197]	4.25 [.167]	3.5 [.138]
"L" (PIN LENGTH) AND LOCATION				
THIS DRAWING IS A CONTROLLED DOCUMENT.				
DIMENSIONS:		TOLERANCES UNLESS OTHERWISE SPECIFIED:		DWN G. ATTADIA - DOCK5 03-23-05 CHK D.L. GORENC 03-23-05 APVD M. WALSMLEY 03-23-05 NAME PRODUCT SPEC APPLICATION SPEC SIZE CAE CODE DRAWING NO WEIGHT 18.5 GRAMS CUSTOMER DRAWING
MATERIAL		FINISH		Tyco Electronics Corporation Harrisburg, PA 17105-3608 STACKED PIN HEADER ASSEMBLY, 136 POSN, TOP BD MTG, THRU-HOLE, WITH 2 STACKING CLIPS, RAISED & STANDARD HEIGHT, AMP MEMORY CARD SCALE 4:1 SHEET 1 OF 1 REV 0