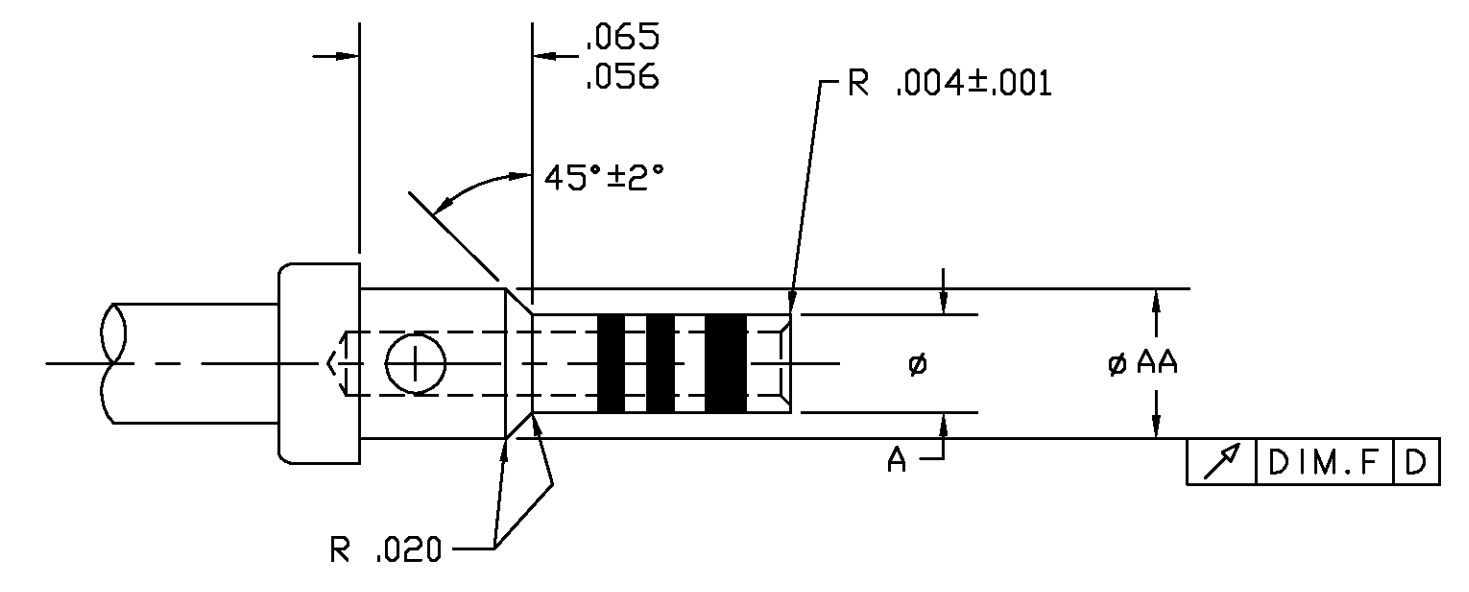
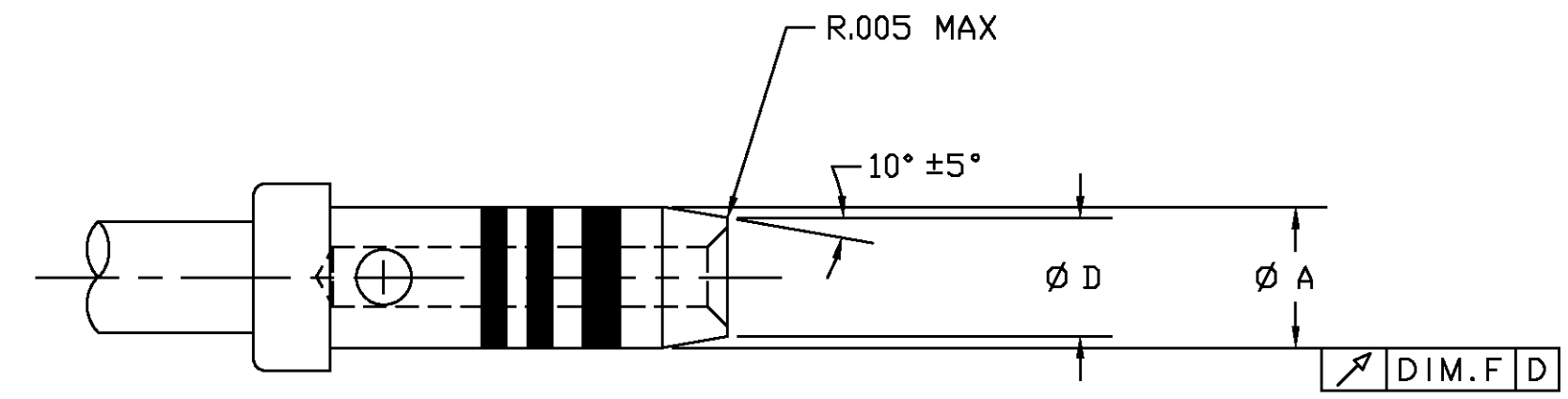


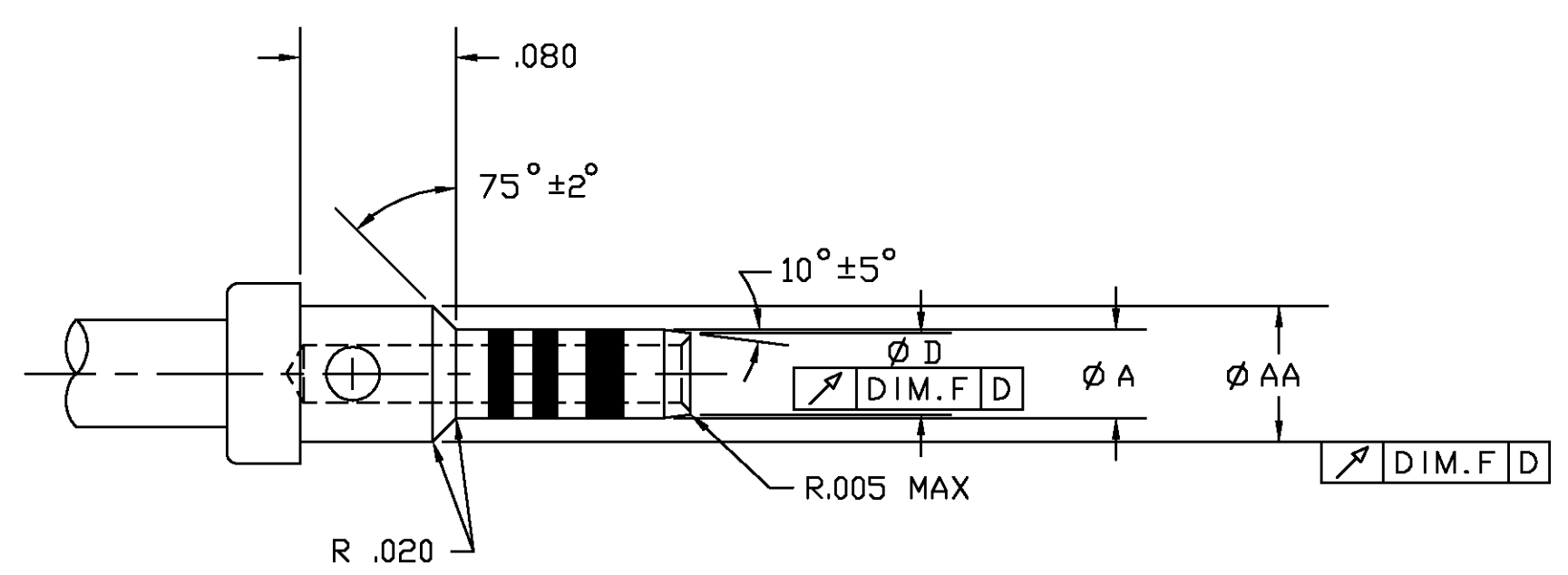
LOC		DIST	
P	F	DF	AD
REVISIONS			
ZONE	LTR	DESCRIPTION	DATE
D		RELEASE OF NEW PRODUCT	03/95 NF
A		REV PER 0600-8213-99 JB	03-99 DM



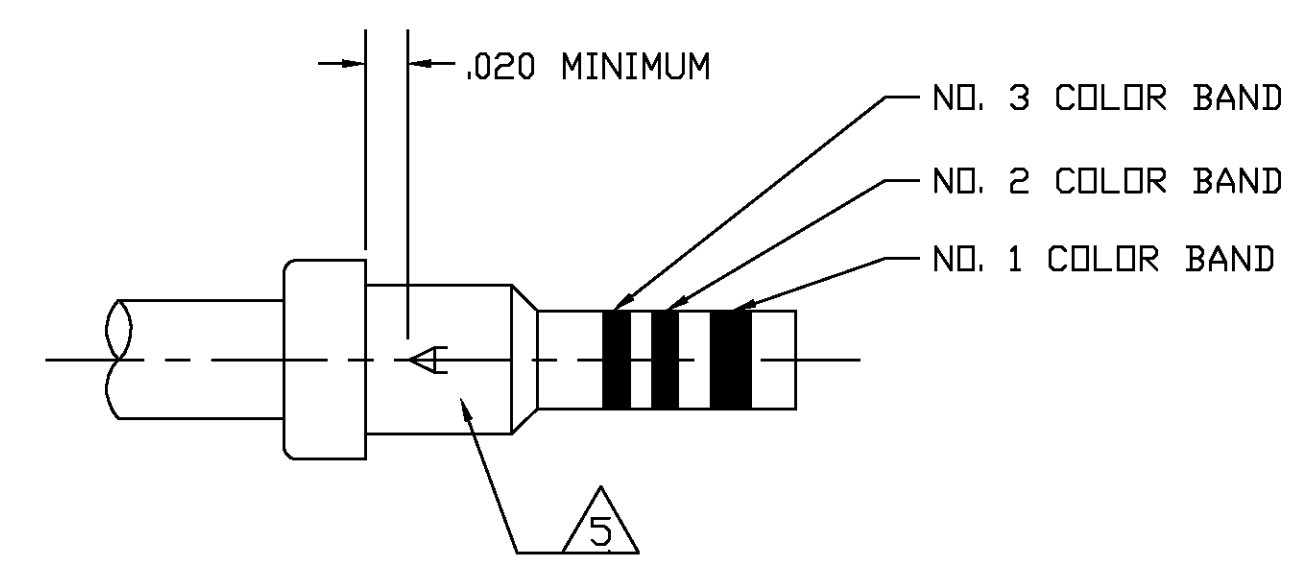
3-592404-1
 SIZE 22



1-592404-1
 SIZE 16

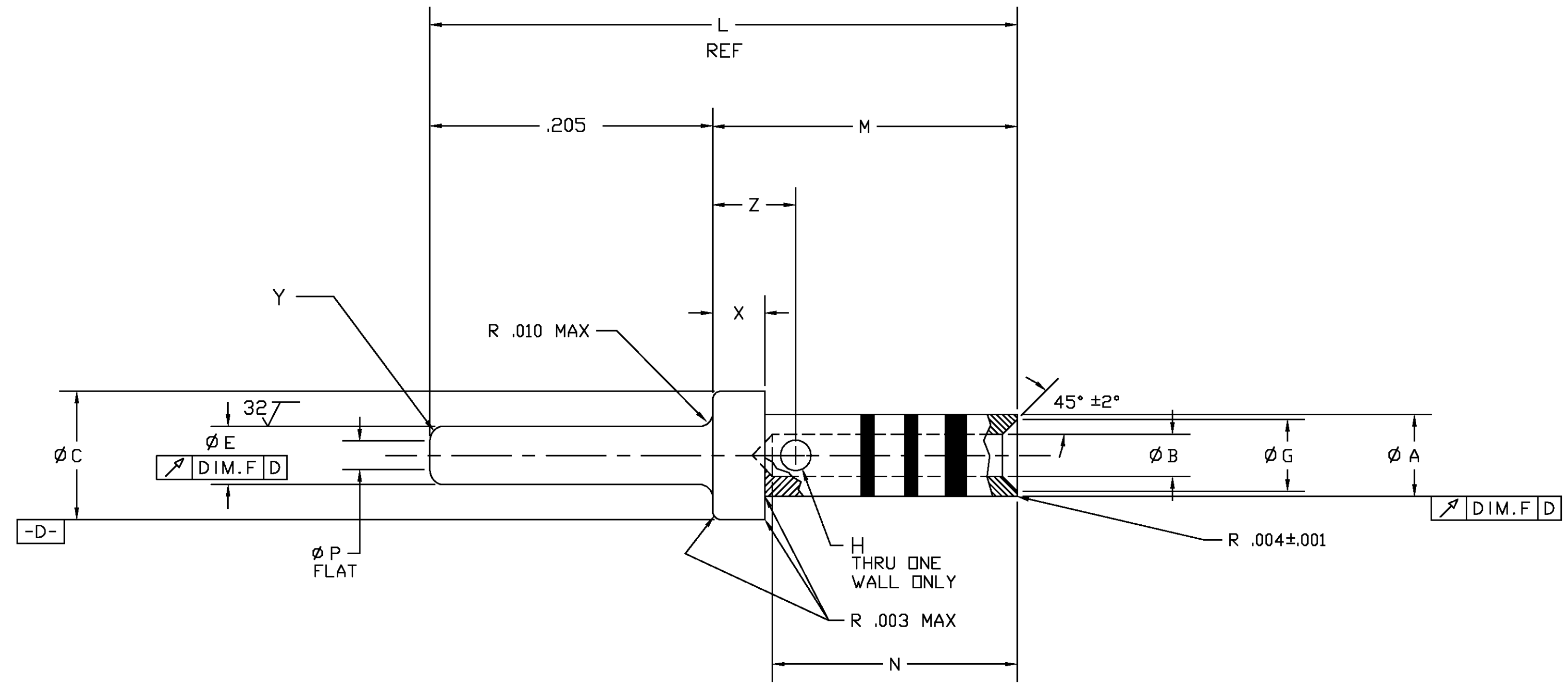


592404-1
 SIZE 12



BAND IDENTIFICATION ③

- ① FINISH: GOLD PLATE PER MIL-G-45204, TYPE I, GRADE C .000050/.000100 THK OVER NICKEL PER QQ-N-290, MATTE FINISH .000050/.000150 THK.
- ② MATERIAL: BRASS PER ASTM B 16, 1/2 H
- ③ CONTACTS SHALL BE COLOR CODED WITH THREE BANDS ON CRIMP BARREL AT APPROXIMATE LOCATION SHOWN.
- ④ MATERIAL: LEADED COPPER PER ASTM-B-301, CONDITION H.
- ⑤ GOTHIC "A" .016±.002 HIGH STAMPED .001/.002 DEEP.



2-592404-1
 SIZE 20

②	BLACK	BLACK	BROWN	.017/.032	.124	.025	.005	---	.076/.078	.057/.063	.015/.025	.029/.033	.157/.186	.211/.215	.418	.018/.022	.042/.046	.061/.063	.100/.103	.035/.037	.048/.051	3-592404-1
②④	BROWN	BLACK	BROWN	.017/.032	.124	.025	.005	---	---	.057/.063	.015/.025	.029/.033	.157/.186	.211/.215	.418	.026/.032	.060/.064	.061/.063	.100/.103	.048/.050	.076/.078	2-592404-1
②	RED	BLACK	BROWN	.024/.039	.144	.050	.006	.086/.092	---	.073/.079	.025/.035	.044/.048	.250/.281	.294/.298	.501	.036/.042	.080/.090	.076/.078	.130/.133	.066/.068	.101/.105	1-592404-1
②	ORANGE	BLACK	BROWN	.047/.062	.094	.050	.006	.130/.136	.155/.158	.073/.079	.035/.045	.044/.048	.250/.281	.294/.298	.501	.036/.042	.115/.125	.093/.095	.187/.190	.098/.102	.147/.153	592404-1
MATERIAL	COLOR BAND NO. 3	COLOR BAND NO. 2	COLOR BAND NO. 1	DIM. P	DIM. J	DIM. K	DIM. F	DIM. D	DIM. AA	DIM. Z	DIM. Y	DIM. X	DIM. N	DIM. M	DIM. L	DIM. H	DIM. G	DIM. E	DIM. C	DIM. B	DIM. A	PART NO.

DO NOT SCALE PRINT. UNLESS OTHERWISE SPECIFIED DIMENSIONS ARE IN INCHES. TOLERANCES UNLESS OTHERWISE SPECIFIED: 1/2 PLC DEC ± .005 3 PLC DEC ± .005 ANGLES ± ---		CONTRACT NO		PART NO	
MATERIAL SEE TABLE		DR N. FRITZ		AMP AMP INCORPORATED Harrisburg, Pa. 17105	
FINISH ①		CHK J. HARMAN			
		APPD J. HARMAN		NAME CONTACT, PIN CRIMP TYPE	
		APPD S. WRIGHT			
		DSGN APPD		SIZE D	
		OTHER APPD		FSCM NO 00779	
				DRAWING NO 592404	
				SCALE 10: 1	
				SHEET 1 OF 1	

THIS DRAWING IS A CONTROLLED DOCUMENT FOR AMP INCORPORATED. IT IS SUBJECT TO CHANGE AND THE CONTROLLING ENGINEERING ORGANIZATION SHOULD BE CONTACTED FOR THE LATEST REVISION.