

8

7

6

5

4

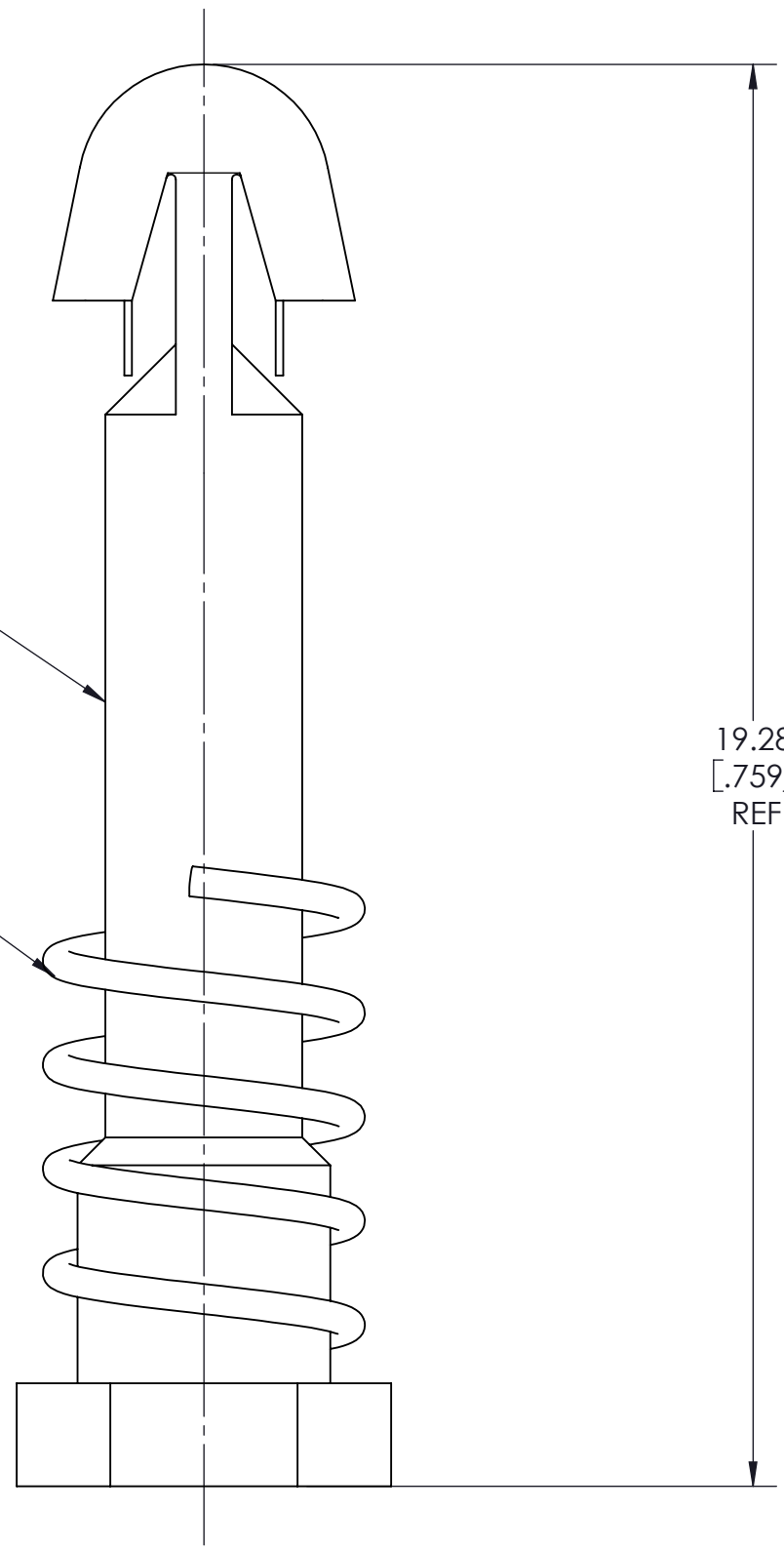
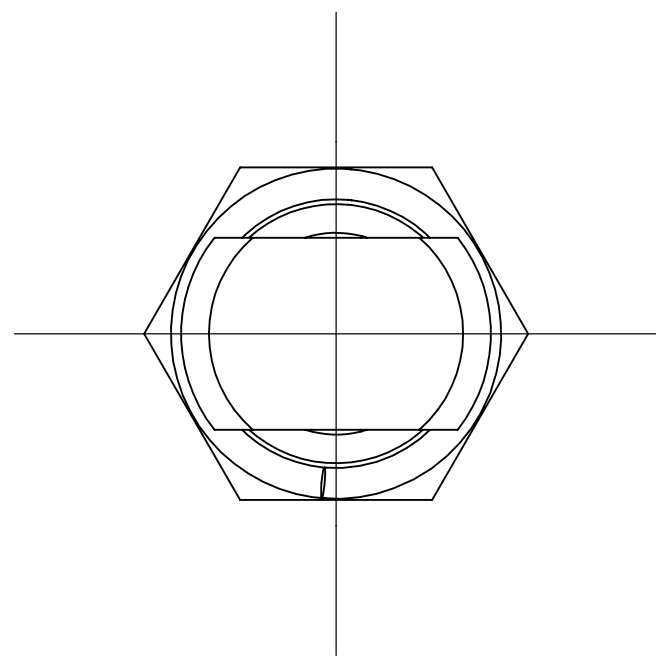
3

2

1

VICOR CONFIDENTIAL
 THIS DOCUMENT AND THE DATA DISCLOSED HEREIN OR
 HEREWITH IS NOT TO BE REPRODUCED, USED OR
 DISCLOSED IN WHOLE OR IN PART TO ANYONE WITHOUT
 THE PERMISSION OF VICOR CORP.

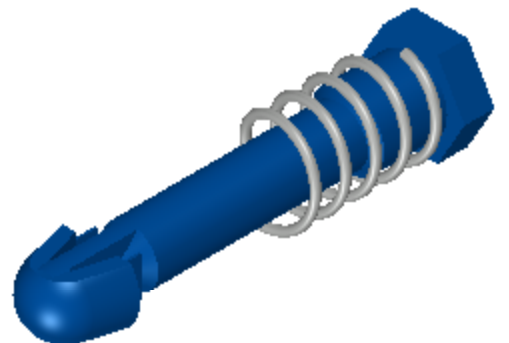
REVISIONS				
REV	DESCRIPTION	DATE	APPROVED	
1	RELEASED PER E071774	JS 04/15/07	REJH	
2	REVISED PER E100991	KUK 08/10/10	DCS	



SEE NOTE 1 (1)

SPRING RATE = 1.6 N/MM [9 LB/IN] (2)

19.28
[0.759]
REF



- NOTES:
1. FOR A LIST OF PARTS SEE BOM NO. 33624
 2. ITEM 1 IS BLUE.
 3. RoHS COMPLIANT PER CST-0001 LATEST REVISION.

DRAWN R.E.J.HICKEY		DATE 03/14/07		VICOR		SWD	
MATERIAL				UNLESS OTHERWISE SPECIFIED DIMENSIONS ARE MM [INCH] TOLERANCES ARE: DECIMALS ANGLES X.XX [X.X] = ±0.01 [0.25] ±1° X.XXX [X.XX] = ±0.005 [0.127]			
FINISH				THIRD ANGLE PROJECTION 		SCALE 10 : 1	
SIZE C		CAGE CODE 67131		DWG NO 33629		REV 2	
						SHEET 1 OF 1	

8

7

6

5

4

3

2

1