

1

2

3

4

5

6

7

A

A

B

B

C

C

D

D

E

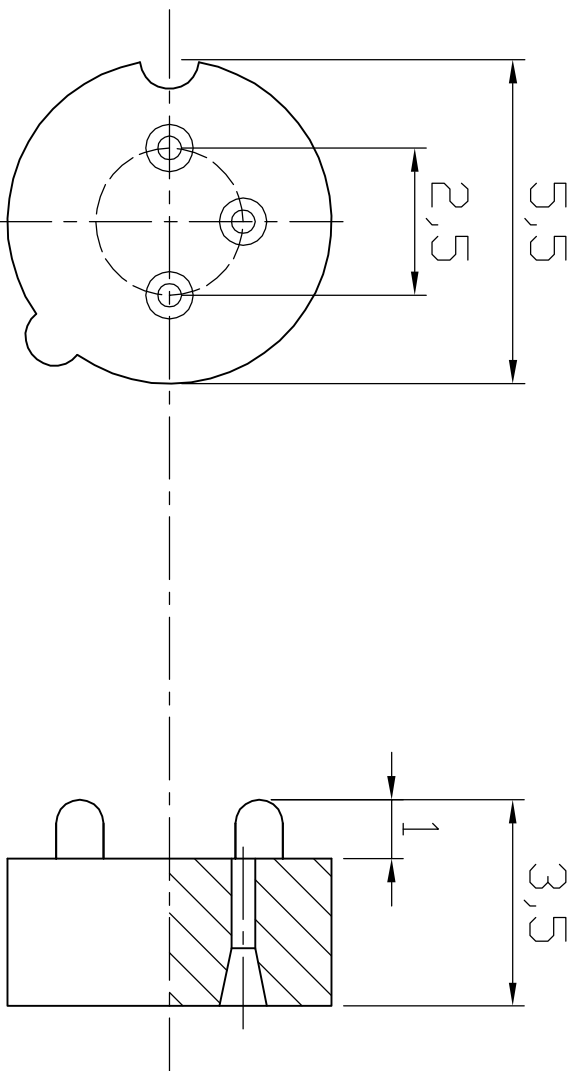
E


F

F

**RoHS compliant**  
Unit:mm

Material : POLYPROPYLEN



Scale	1:1						Customer-No.	
TOLERANCE								
X.	±X				Drawn	20.08.2009	Dean	
X.X	±X				Approved	31.05.2011	Andy	
X.XX	±X	③	Material add.	31.05.2011	Schulz			ASSMANN WSW-No. V/4718
DIM	TOL	②	Modify drawing layout	10.03.2010	Alex			Drawing-No. ASS 0925 HS
X. °	±X°	①	Drawn	20.08.2009	Dean			rev03
X.X°	±X°							Sheet
Angle	TOL	Id.	Modification	Date	Name	 		Replace

1

2

3

4

5

6

7

H

H